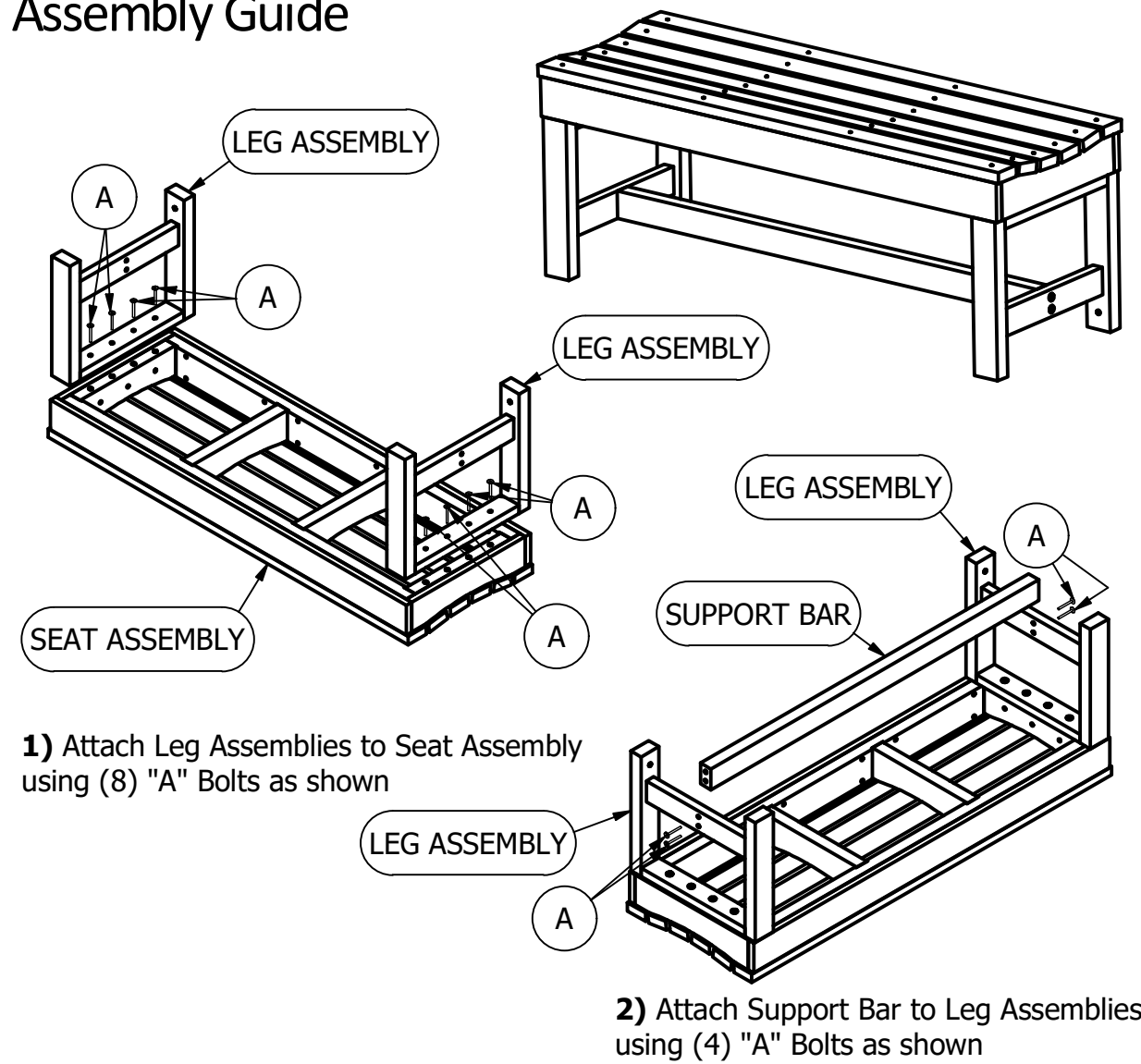
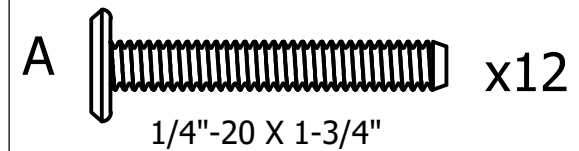


Sequoia Professional Weldon 4' Picnic Bench

Assembly Guide



HARDWARE

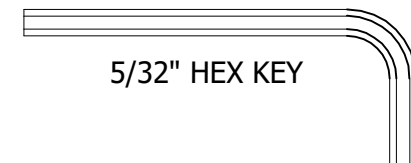


IMPORTANT!

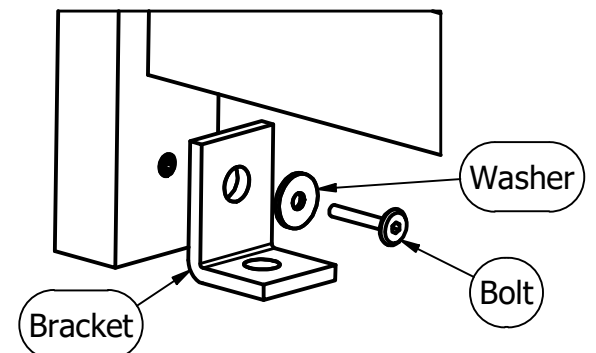
DO NOT fully tighten the bolts until all bolts are started. Once all bolts are inserted, go back & tighten all the bolts.

Retain these instructions for future reference

INCLUDED TOOLS



Included Hardware for Optimal Surface Mounting - 4X



Note: Ground Anchors not included



SEQUOIA
PROFESSIONAL
by highwood®

For information on Care and Cleaning or to register your SEQUOIA PROFESSIONAL product by highwood®, please visit www.highwood-usa.com.

CM-BENSQ41
03.04.19

PAGE 1 OF 1